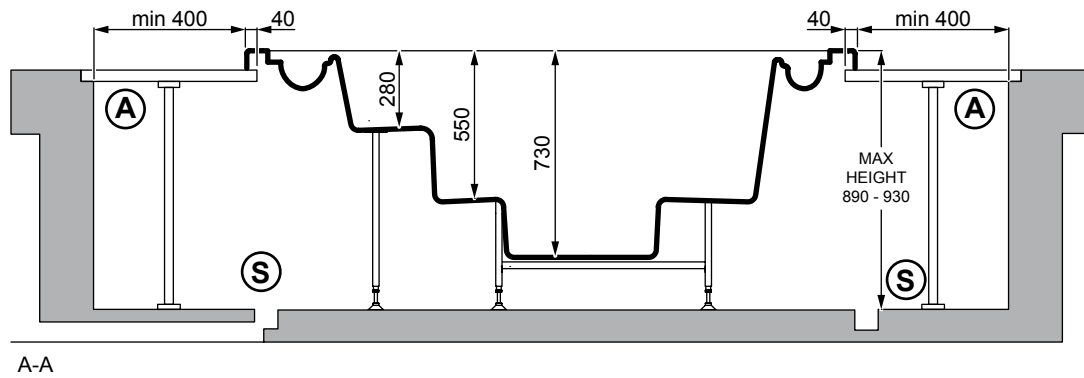
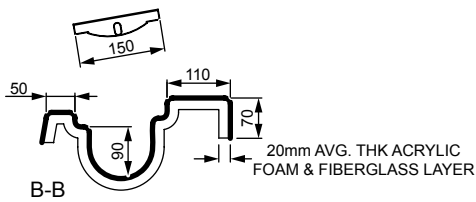
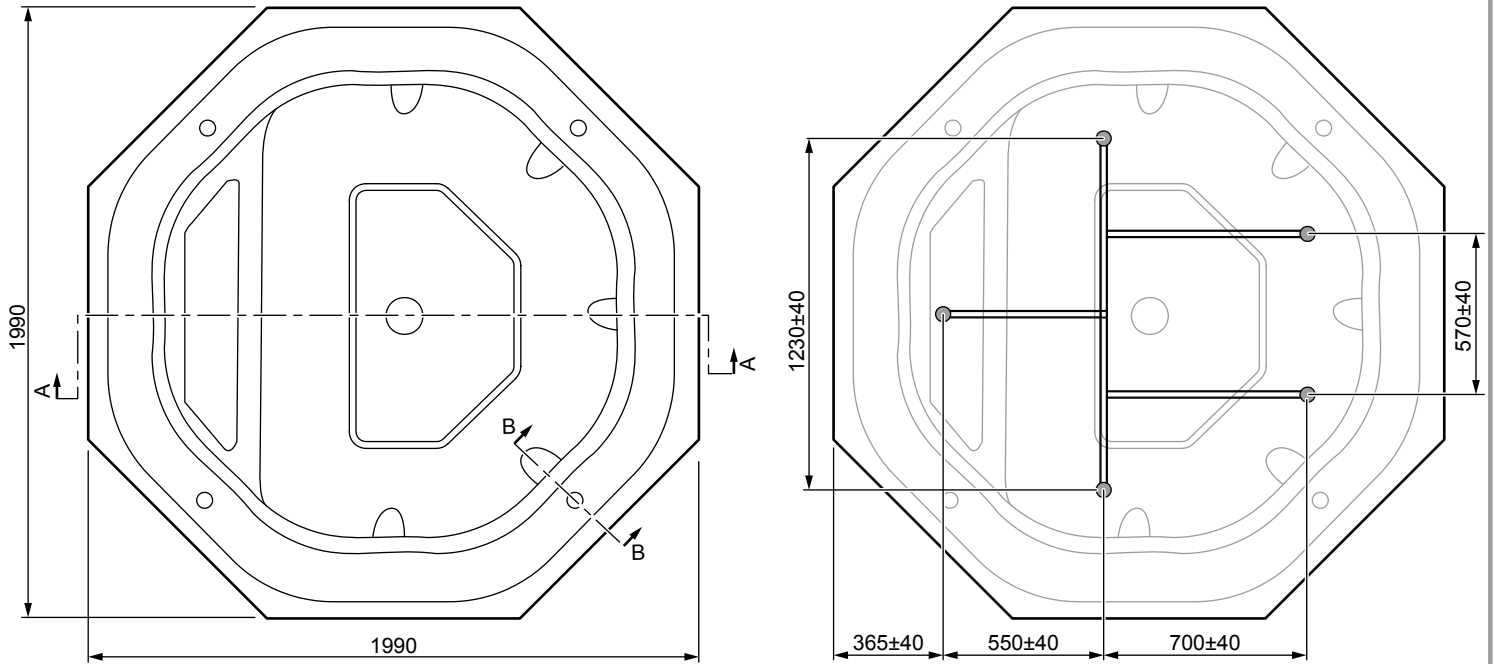


2014.00



Measurements in mm.

Max. Net Weight Kg.	Max. Water Capacity lt.	Max. Floor load capacity Kg/m²	No. massage sessions
120	900	400	5

PREDISPOSITION OF CONNECTIONS

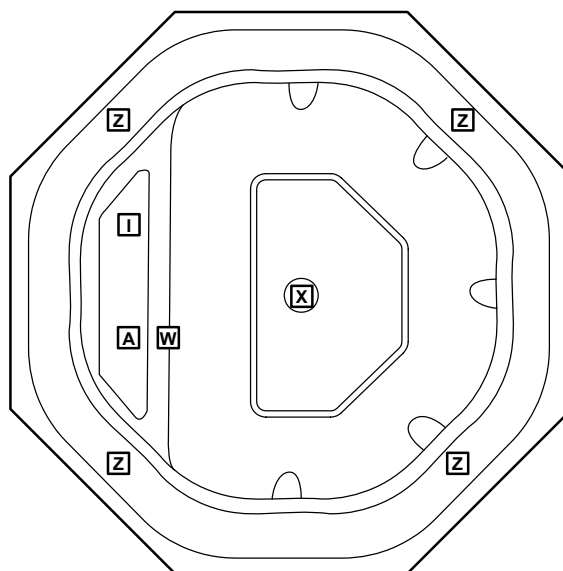
Z - Drain channel

X - Recirculation and drain input

I - Hidro suction

A - Air Entry (To Injectors)

W - Water Entry (In To Jet Ring)



PREDISPOSITION FOR THE INSTALLATION

Minipool

The minipool is designed specifically for built-in type installation, with the edge exactly at floor level; refer to the dimensions indicated in the drawings when preparing the pit.

(N.B given that dimensional specifications may be subject to slight variations, check all measurements before proceeding with installation).

The pit for the built-in minipool should be cast in concrete, observing the dimensions indicated in the drawing and making certain that the structure is perfectly level. The plinth or slab directly supporting the minipool must be able to support the load (see table on page 2).

Leave a void (A) at least 40cm wide all round the minipool to ensure sufficient freedom of access to the plumbing and electrical equipment installed beneath the tub.

The void must be covered with removable grate decking carried on suitably sturdy supports and affording air passages of at least 0.3m² overall so that the pit will be adequately ventilated.

Provide channels and a drain outlet (S) at the bottom of the pit so that water will not collect and stagnate.

PREDISPOSITION CONNECTS HYDRAULIC

The contractor will supply all the plumbing material (including fittings, ball valves, etc..), needed to connect the minipool to the Spa-pack (not included) and to the overflow tank, and must install suitably proportioned gullies, inspectable and accessible for cleaning purposes, into which the drain pipelines will be directed.

In particularly cold climates, where there is a risk of residual water freezing in pipelines, it is advisable to install drain valves at strategic points on the various circuits, so that the system can be emptied completely.

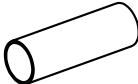
IMPORTANT: before making any permanent connection to the main drain, contact the local authorities to check on regulations governing the disposal of chemically treated water.

FILLING: The recommended method of filling the Spa-form is to use an ordinary hose, taking care not to immerse the end as this could allow reflux of water back into the main (3).

IMPORTANT: Once installation is complete, if Teuco Spa-Pack was not used, please make sure that the maximum suction power of the intake openings is in line with the limits set by the standard IEC 60335-2-60: "Safety - Particular requirements for whirlpool baths and whirlpool spas".

IMPORTANT: if the intention is to connect the minipool permanently to the water supply, suitable non-return devices must be incorporated to prevent reflux back to the water main.

Contact the local authorities before proceeding with this type of installation.

	Ø
Z	80 mm
X	2"/63mm
I	2"/63mm
A	2"/63mm
W	2"/63mm